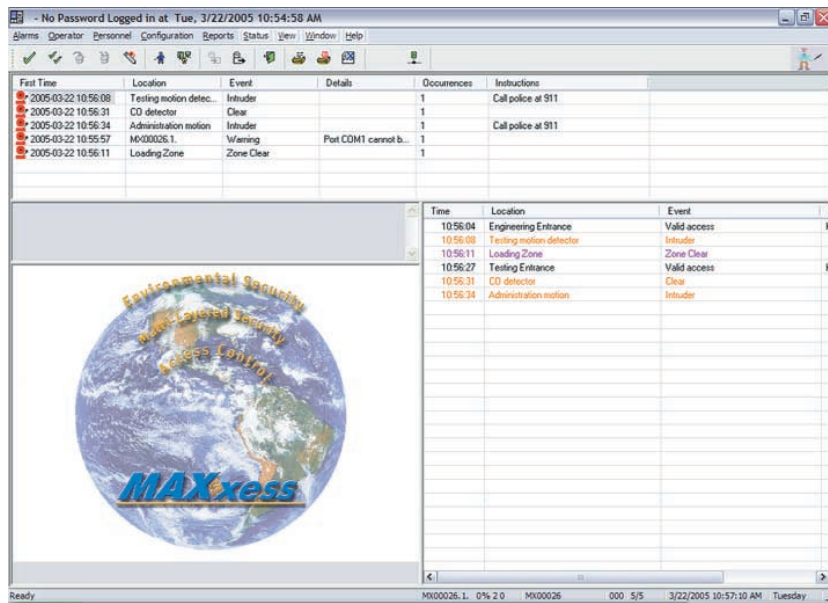


Security Management Software Package



Complete Access Control Software Package

AXxess™ Express and AXxess™ Lite are software packages that provide multitasking support and flexibility. AXxess EXpress/Lite's open architecture enables you to build a new security management system or to integrate with existing card readers, and alarm monitoring devices.

The flexibility of AXxess EXpress/Lite gives you the power to customize your access control system to your specific needs — without requiring advanced technical expertise. Control access to individual buildings, offices or manufacturing areas, to single doors or multiple zones. Track visitor usage or employee attendance. Activate after-hour security.

Flexible, Expandable and Reliable

AXxess EXpress/Lite features a distributed processing architecture that utilizes remote intelligent control. By localizing access decisions at the hardware level, AXxess EXpress/Lite provides the fastest possible processing times. This distributed processing scheme also provides maximum flexibility and the ability to add or delete access points without affecting overall system performance. Access decisions can be made accurately and without hesitation. Connections are made via standard RS485 data bus, fiber, or Ethernet connectivity, which is available with the EXpress version of AXxess Software.

Applications

AXxess EXpress/Lite flexibility makes it ideal for a wide variety of applications such as office buildings, small commercial and manufacturing facilities.

Features of EXpress/Lite

- For Windows® XP Pro
- Supports up to 30 doors/4 doors
- 5,000/1000 individual badge numbers
- 100 access levels/20 access levels
- Multi-language support
- Single workstation
- Easy, cost-effective migration path to AXxess 202/NS
- (5) eRAMs or RAMMs supported by EXpress

Companion Products

- Barlock™ Processors 200 Series only
- Barlock™ Readers & Badges
- Input Module
- Remote Access Memory Module (RAMM)
*EXpress version only (5 eRAMs or RAMMs maximum)

Specifications

SYSTEM REQUIREMENTS

BASIC COMPUTER REQUIREMENTS

- Pentium 4® 3.2 GHz or higher PC
- 1 GB RAM minimum
- 40 GB minimum hard disk
- Windows® XP Pro
- One or more serial ports for direct connect panels or RAMMs
- Ethernet card
- Parallel port or USB port for report printer
- CD ROM

Note: Computer requirements could change. Please contact factory for current requirements.

DATABASE INTERFACE

- SQL Server Database
 - Runtime version included

SYSTEM OPTIONS

- Elevator module
- Badging module
- Data Encryption module
- Multiport™ module\

SYSTEM SPECIFICATIONS

SYSTEM COMPONENTS

- AXxess™ Express/AXxess™ Lite Software CD-ROM
- AXxess™ Interface Module
- RS-232 cable

COMMUNICATIONS

- 2-Wire, RS-485 interface
- RS-232
- Fiber w/purchase of appropriate Interface Module
- Ethernet (EXpress only)

INSTALLATION

- Daisy chained RS-485 terminated with 120Ω resistors at ends
- LAN/WAN using EXpress with eRAM or RAMM

APPROVALS

UL, CSA, CE

Headquarters

1515 S. Manchester Ave.
Anaheim, CA USA
92802-2907

Tel 714.772.1000
800.842.0221
Fax 714.780.7592
Email sales@maxxess-systems.com

Service & Technical Support

Tel 714.772.1000
800.842.0221
Fax 714.780.7592
Email support@maxxess-systems.com

MAXxess Systems Europe, Ltd.

Europe, Middle East, Africa

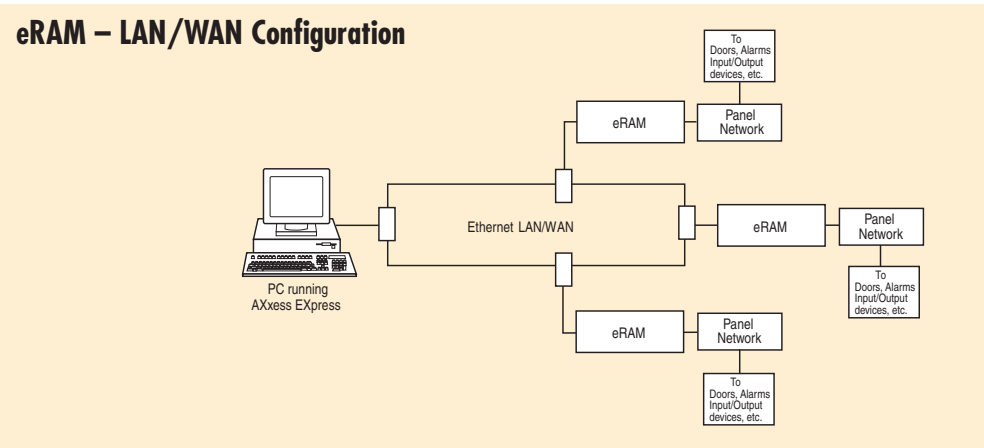
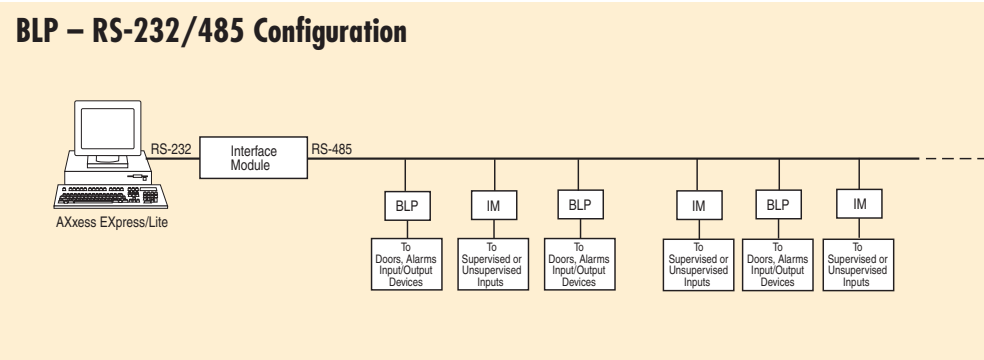
Doncastle House,
Doncastle Road,
Bracknell, Berkshire, UK
RG12 8PE

Tel +44 (0) 870 234 7654
Fax +44 (0) 870 234 7655
Email sales@maxxess-systems.com

Service & Technical Support

Tel +44 (0) 870 234 7654
Fax +44 (0) 870 234 7655
Email support@maxxess-systems.com

www.maxxess-systems.com



Information furnished by MAXxess is believed to be accurate and reliable. However, no responsibility is assumed by MAXxess for its use nor for any infringements of patents or other rights of third parties that may result from its use. No license is granted by implication or otherwise under any patent rights of MAXxess Systems, Inc. Specifications subject to change without notice.