



MAXXESS



eRAM™

Remote Area Manager

Features

- Optimizes eFusion and eAXxess performance by providing local control of the panel network, including access levels, global I/O dependencies and local event buffering (10,000 events)
- Provides reliable access control communication between eFusion and eAXxess host and the panel network via LAN/WAN
- Maintains all configuration information locally, even during extended power/communications outages
- Precision access/unlimited access levels
- Supports up to 20 readers
- Includes two channels of communications to door controllers
- Prioritized alarm downloading
- Firmware conveniently flash upgradeable over network connection
- Easily installs in new or existing systems, supporting MAXXESS enhanced communication protocol
- Mounts in a BLP enclosure
- One time event schedules
- Two badge rule

The eRAM™ is a high performance, area controller featuring a Linux operating system. The Linux operating system is embedded in the eRAM and greatly enhances the reliability and capability of the security management system. In addition, it provides several features to improve system performance in any size application.

- Full operation of dependencies, alarm zones
- Up to 220 sensors per eRAM
- Up to 20 readers
- Unlimited access levels
- Up to 256 unique schedules
- Up to 200 input/output dependencies
- Up to 999 holidays with three types of holidays per eRAM

High-speed Data Communication

eRAM is an addition to the MAXXESS family of IP products designed solely for Ethernet applications. The 100 Mbps Ethernet communications allows the system to quickly process data with no bottlenecks.

Real-time Operating System

The Linux real-time operating system enhances the performance and response time of the information. The internal relational database makes it simple to perform diagnostics and troubleshooting.

ApeXX™ Software Enhances Performance of the eRAM

ApeXX was developed to provide peak performance for the eRAM. ApeXX minimizes network traffic with incremental updates. Once the system is installed it will never need to download the entire cardholder database.

Revolutionary Features

ApeXX allows unlimited site codes, access levels and a twenty-digit (64 bit) badge number. The software has additional built-in features that include ADA/DDA special unlock by cardholder, a lock-down feature to secure in an emergency situation and user selectable PIN numbers, up to eight-digits.

Companion Products

- eFusion or eAXxess Security Management Software
- BLP 206 Processor
- Input Module
- BUPS Power Supply
- Din Rail Mounting Kit
- Enclosure Kit



MAXXESS

MAXXESS Systems, Inc.

eRAM™ Remote Area Manager

Specifications

SYSTEM REQUIREMENTS

- BLP206 must be version 06-074 or later

ELECTRICAL

- Power supply 12 VDC, .5 amp (not included)

MECHANICAL

- Unit mounts on second DIN rail in existing BLP enclosure or in its optional enclosure
- 5.8" W x 4.825" H x 1.275" D (147.32 mm x 122.55 mm x 32.38 mm)

ENVIRONMENTAL

Temperature 32° to 122° F
(0° to 50° C)

Humidity 5% to 95% relative,
non-condensing

ACCESSORIES

- BUPS used to power eRAM
- DIN mounting kit (not included)

eRAM comes with a one-year limited warranty.

Headquarters

1040 North Tustin Avenue
Anaheim, CA USA
92807

Tel 714 772 1000

800 842 0221

Fax 714 399 9358

Email sales@maxxess-systems.com

Service & Technical Support

Tel 714 772 1000

800 842 0221

Fax 714 399 9358

Email support@maxxess-systems.com

MAXXESS Systems Europe, Ltd.

Europe, Middle East, Africa

200 Brook Drive,
Green Park, Reading,
Berkshire, RG2 6UB
United Kingdom

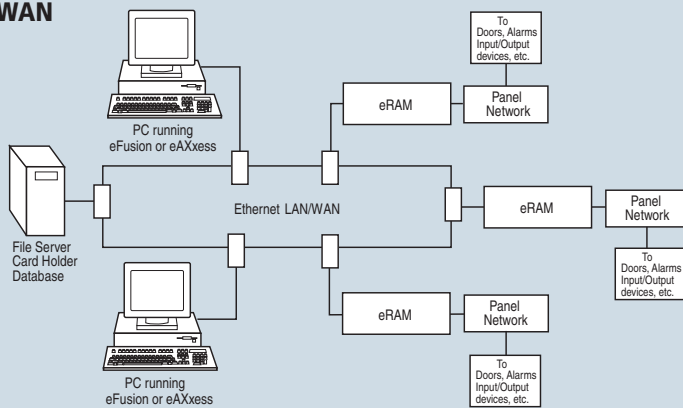
Tel +44 (0) 1344 440083

Fax +44 (0) 1344 325050

Email sales@maxxess-systems.com

www.maxxess-systems.com

eRAM — LAN/WAN Configuration



Information furnished by MAXXESS is believed to be accurate and reliable. However, no responsibility is assumed by MAXXESS for its use nor for any infringements of patents or other rights of third parties that may result from its use. No license is granted by implication or otherwise under any patent rights of MAXXESS Systems, Inc. Specifications subject to change without notice.

© 2010 MAXXESS Systems, Inc., Anaheim, CA
3552 — eRAM Revised 3/12 Printed in USA